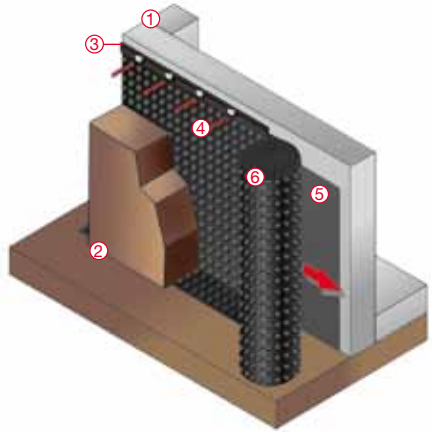


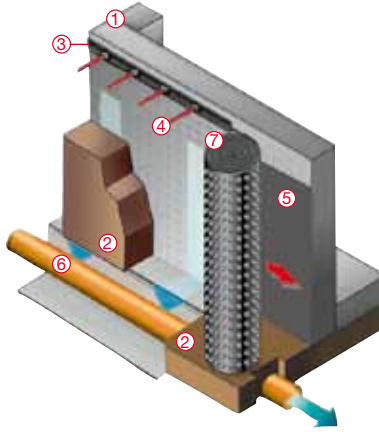
### guttabeta® star

- ① Foundation wall      ② Soil
- ③ Covering section profile   ④ Fastening points
- ⑤ Sealing                      ⑥ **guttabeta® star**



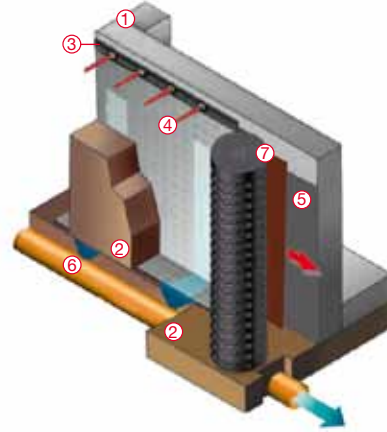
### guttabeta® drain

- ① Foundation wall      ② Soil
- ③ Covering section profile   ④ Fastening points
- ⑤ Sealing                      ⑥ Drainage pipe
- ⑦ **guttabeta® drain**  
with filter-webbing



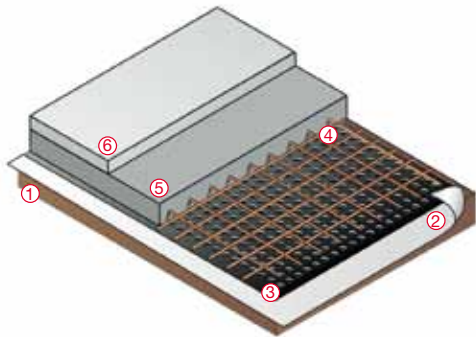
### guttabeta® drain plus

- ① Foundation wall      ② Soil
- ③ Covering section profile   ④ Fastening points
- ⑤ Thick coating **drain plus only**
- ⑥ Drainage pipe
- ⑦ **guttabeta® drain plus**  
with filter-webbing and slip foil



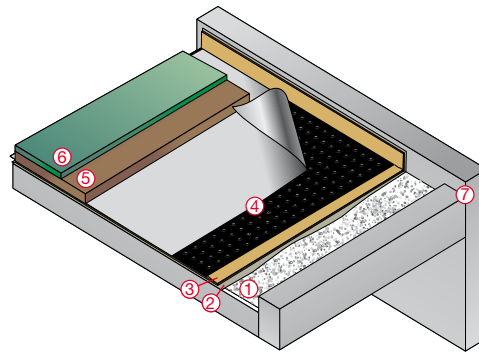
### Granular subbase

- ① Soil                              ② Filter webbing
- ③ **guttabeta® star**            ④ Reinforcing steel mat
- ⑤ Base slab                      ⑥ Composition floor



### Roof garden

- ① Gravel bed                      ② Root-protection mat
- ③ Sealing                        ④ **guttabeta® drain** with filter-webbing
- ⑤ Garden soil                    ⑥ Planting
- ⑦ Building outside wall



## Product range

In addition to our **guttabeta® star foundation wall protection** we also have many other useful products for buildings, gardens and DIY applications:

- **guttatec bitumen shingles** with numerous possible applications in various shapes and colours.
- **guttanit corrugated bitumen sheets** for roofs and walls in many different styles and colours.
- **guttagliss corrugated sheets** of polyester, PVC, polycarbonate and acrylic resin in various corrugations with matching installation accessories.
- **guttagliss twinwall sheets** made of polycarbonate and acrylic resin with good insulating characteristics and matching installation systems of plastic or aluminium.
- **guttagliss paneel und easy-click plus Hohlkammerpaneele** aus PVC oder Polycarbonat mit Nut- und Federverbindung.
- **guttagliss flat sheets** from polystyrene or acryl, smoothly or structures for different areas of application, inside and outside.
- **guttagliss alutec system roof.** The professional complete solution to build by yourself. For terrace, balcony, carport and pergola.
- **guttagarden**, garden accessories, a copious range of planters, lawn edging, rainwater butts, garden foils, garden tiles, etc.

Please ask for our comprehensive informative material!



4 003412 062174  
Prospekt-Nr.: 9501112

D - 05/12 - 20 - Dimer Druck

**guttabeta® star**  
Foundation wall protection



## Dimpled membranes with the highest level of compression stability



### Properties

- High pressure resistance
- Impact and fracture resistant
- Highly resistant against tearing
- Abrasion-resistant
- Rot-proof
- Drinking water neutral
- Resistant to chemicals
- Resistant to fungal and bacterial infestation



### Material

The high level of compression stability of **guttabeta® star** dimpled membranes is based on the special star-shaped geometry of the studs, where by these are more than 50% above the value of comparable traditional nopped strips. The cross-pieces stiffen the studs and improve the transfer of forces. Thus the HDPE plastic is given an especially high level of mechanical load-carrying capacity. The well-proven physical and chemical properties of HDPE are not changed.

As a result of their high resistance to pressure, in case of vertical laying, **guttabeta® star** dimpled membranes can absorb the pressure of the soil on the seal much better. Horizontal laying increases the load-bearing capacity and stress-resistant capacity of the studs.

**guttabeta®** dimpled membranes are available in 3 different designs for different requirements.

### Laying instructions

- Blocking plaster, sealing compound or bituminous paint has to dry and pressure-proof.
- The upper fixing point is the foundation wall top edge, approx. 10 cm above the sealing paint coat.
- The lower fixing point is above the drainage pipe.
- The laying is implemented directly from the roll. Generally guttabeta® drain nopped strips are to be laid horizontal.
- Ensure that the studs are facing the wall. **guttabeta® drain** and **guttabeta® drain plus** are laid with the webbing to the soil.
- Vertical laying is also possible.
- With placement of a new strip, 10 cm overlap is to be covered. If required, sealed connections between the strips can be manufactured with butyl strip which sticks strongly on both sides.
- Pipe passages and window cutout openings are cut with a hooked blade.
- The **guttabeta® star** dimpled membranes is attached by nailing in the nail edge.
- For **guttabeta® drain** and **guttabeta® drain plus**, according to substrate, fixing with **guttabeta®** assembly anchors is to be provided.
- The **guttabeta®** covering section profile should be used as a top edge close-off.

### Guarantee

The **guttabeta** nopped strip system is guaranteed for 20 years on especially according to our guarantee. The detailed guarantee conditions particularly the requirements and limitations can be found on the website [www.gutta.com](http://www.gutta.com). On your behalf the terms of guarantee can be sent in text form. Color and size deviations within the usual tolerance reserved. Follow from the local building regulations. Our recommendation do not unnecessary to controlling the product of any amountl. In doubt please search for a professional consulting service. All specifications and sketches are from the manufacturer. Technical modifications reserved.

### Technical data

Product:	<b>guttabeta® star</b>	<b>guttabeta® drain</b>	<b>guttabeta® drain plus</b>
Material:	HDPE (High density polyethylene)	HDPE (High density polyethylene)	HDPE (High density polyethylene)
Color:	Black	Black (webbing grey)	Black (webbing grey)
Resistance to pressure:	App. 400 kN/m <sup>2</sup> (40 t/m <sup>2</sup> )	App. 250 kN/m <sup>2</sup> (25t/m <sup>2</sup> )	App. 250 kN/m <sup>2</sup> (25t/m <sup>2</sup> )
Nop height:	approx. 7 mm	ca. 8 mm	ca. 8 mm
Number of studs:	1860 studs/m <sup>2</sup>	1860 studs/m <sup>2</sup>	1860 studs/m <sup>2</sup>
Air volume between studs:	approx. 5.0 l/m <sup>2</sup>	approx. 5.3 l/m <sup>2</sup>	approx. 5.3 l/m <sup>2</sup>
Run-off capability:	approx. 4.6 l/s/m (16600 l/h/m)	approx. 4.6 l/s/m (16600 l/h/m)	approx. 4.6 l/s/m (16600 l/h/m)
Temperature resistance:	- 40° to + 80° C	- 40° to + 80° C	- 40° to + 80° C
Roll size in m:	1.0 x 20, 1.5 x 20, 2.0 x 20, 2.5 x 20, 3.0 x 20, 4.0 x 20,	2.0 x 20	2.0 x 12.5
Pallet units:	1.0 m: 24 rolls 1.5 bis 2.0 m: 12 rolls 2.5 bis 4.0 m: 16 rolls	6 rolls	6 rolls

Technical changes reserved, Measure tolerance 4%, protect from ultraviolet radiation

### 1. guttabeta® star

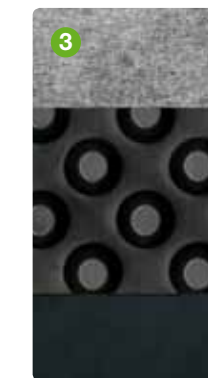
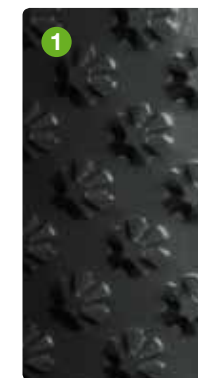
- Foundation wall protection in case of sealing with bituminous paints or sealing compounds
- In case of ground with a proper drainage
- Roof greenings
- Blinding layers
- Composition floor underlay

### 2. guttabeta® drain

- Foundation wall protection in case of sealing with bituminous paints or sealing compounds
- Laminated, corrosion-proof, filter webbing prevents the dimpled membranes channels from clogging up
- Drainage systems for water-impermeable grounds or locations on a slope
- Suitable for perimeter insulations

### 3. guttabeta® drain plus

- Foundation wall protection in case of sealing with thick coatings
- The slip foil prevents a point loading and serves as a slide surface increase the filling floor settles or shifts
- Laminated, corrosion-proof, filter webbing prevents the dimpled membranes channels from clogging up
- Drainage systems for all grounds or slopes



### Accessories



**cover profile**  
Article-No.: 1770206



**dowel pin**  
Article-No.: 1770233



**fitting stud**  
Article-No.: 1770230



**butyl tape B15**  
Article-No.: 3410271